



LOUVRE WINDOW Commercial Series EV400

Key Features

102x44mm outer surround frame meaning louvres can be integrated with most of the standard commercial range.

44mm nailing fin frame is standard protecting internal linings from water intrusion. Nailing fin also gives fixing point for reveal if needed for accepting lugs in double brick installations.

Choice of 102mm and 152mm blades.

Water rating 300Pa dependent on sizing.

Low profile handle as standard.

Black clips and handle as standard. Others non standard options Altair and A13.

Galleries come in a huge range of colour options. Delivery lead times are affected by this choice.

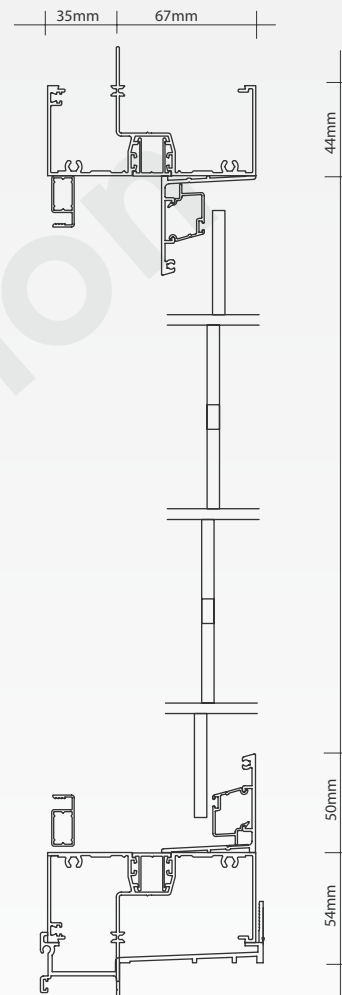
Optional key lock available. Please note: This lock cannot be retro fitted, so please specify if required. Lock colours available are Black, Silver and White. Lock is fitted to opposite jamb to handle.

Electric powered louvre available eliminating handle, ideal for high light options. Standard option is a wall switch (not supplied by Evolution) or by optional remote control unit. Please note: Wiring connection is by your own electrician.

Flyscreen option available, we recommend only using 102mm blades when adding flyscreen to 400 commercial frame, so screen can be fitted within the 102mm frame via specifically designed screen channel. If using 152mm blade, screen will have to be face fitted externally with turn buttons and gallery blade opening restricted.

These louvres come in a range of standard heights with all blades operable, full blades not only look better but also save you money.

Nailing fin sub sill comes as standard on this product unless alternative is requested.



Phone Assistance
Call 02 9833 0855

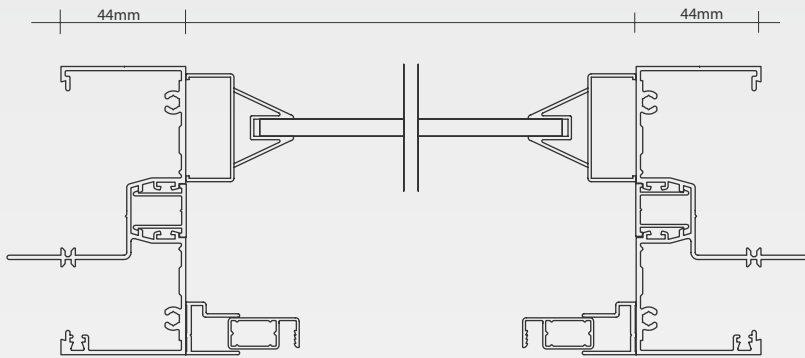


Online Technical
www.evolutionwindows.com.au

LOUVRE WINDOW Commercial Series EV400



DRAWINGS

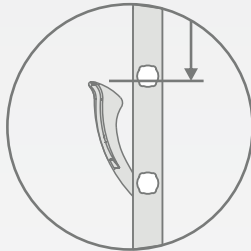


HORIZONTAL VIEW WITH SCREEN (102MM BLADE RECOMMENDED)

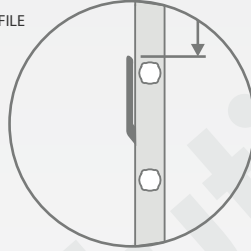


HARDWARE

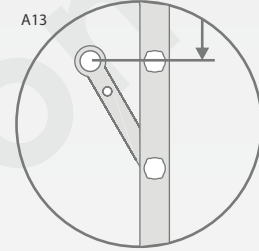
ALTAIR



LOW PROFILE



A13



WERS

Single Glazed

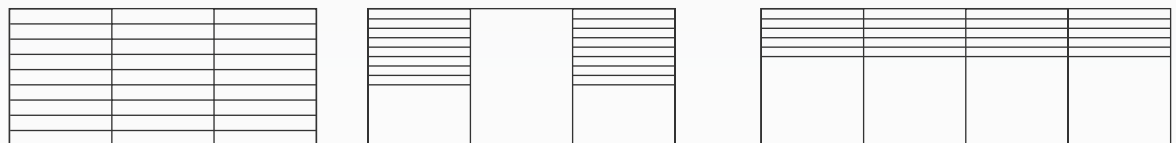
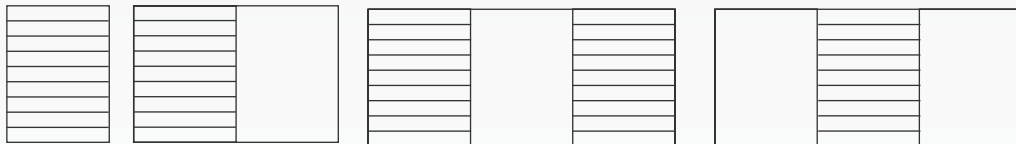
Glass Type	Uw	SHGC _{Cw}
6.38 VLam	6.2	0.55
6.38 CP	6.2	0.36
6 SNClr	4.8	0.47
6 EVanGry	6.2	0.39

Double Glazed

Glass Type	Uw	SHGC _{Cw}
4/10/4	N/A	N/A
4 SNClr/10/4	N/A	N/A
6.38 CPClr/8 AR/4	N/A	N/A
6.38 CPGry/8/4	N/A	N/A

Some of the WERS rated glass and frame combinations for this system. For a complete list of all rated glass and frame combinations refer to our WERS chart.

Configurations available are endless and depend only on size limitations and wind loadings. Below are some of our more popular ones. **Please note - All are viewed from outside of building.**



CONFIGURATIONS