

SHUTTER WINDOW Commercial Series EV417

Key Features

Series 417 LouvreMASTER™ shutters are ideal for privacy and sun control.

LouvreMASTER™ shutters can be fitted into hinged, sliding and bifold Series 52 window and door panels.

We have cut a dedicated sash for the Series 400 awning and casement window that will accept the shutter system.

Using an inlay adaptor, we can also fit shutters into Centre Glaze shopfront framing operated with jamb slide bar.

LouvreMASTER™ shutters are operated with a custom jamb slide bar and conrods.

Most products have the control bar through the centre of the shutters. We feel that the jamb bar is unobtrusive and has less chance of being damaged.

Smooth clean faces on all shutter adaptors and blade.

No visible screws or rivets. Inlay adaptors snap to door stiles and rails. Likewise on the windows, the adaptors snap into perimeter frame and mullions.

Doors can be fitted with midrails. This allows the top blades to be operated separate to bottom blades.

Combination units with glass and shutters can be fabricated, for example, with a midrail through door panels. Fit glass below the midrail and shutters over.

Jamb slide bar operated with nylon activator handle.

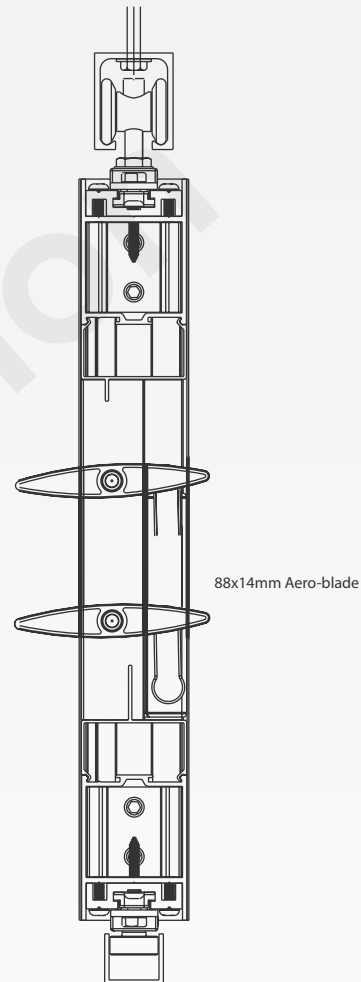
Bifold panels can be secured with key operated twinbolts.

Aerodynamic blade.

Inlay adaptors have rounded corners to soften the appearance and suit modern powder coat finishes.

The LouvreMASTER™ system has been successfully tested for compliance with AS2047. 1200mm wide door panel will withstand 2000Pa serviceability at 1/250 deflection and proof tested to 3000Pa.

Blades are 88mm by 14mm oval shape. The pitch for the blades can vary from 60mm to 80mm depending on panel height. The blades can be clamped in any position between open and closed with the use of an activation handle.



Phone Assistance
Call 02 9833 0855



Online Technical
www.evolutionwindows.com.au



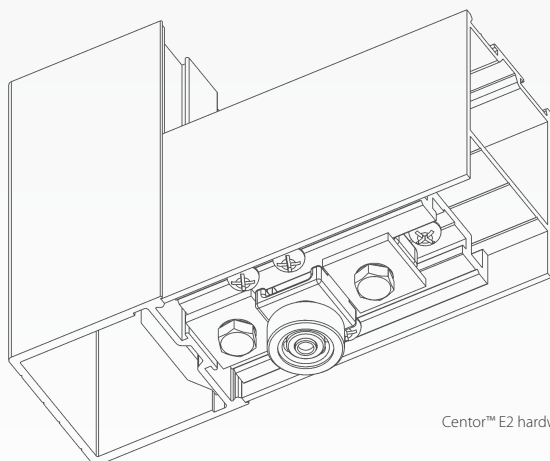
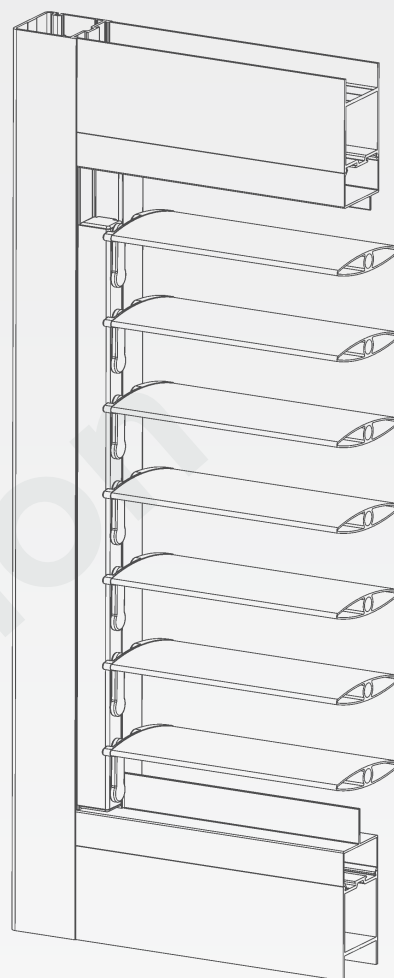
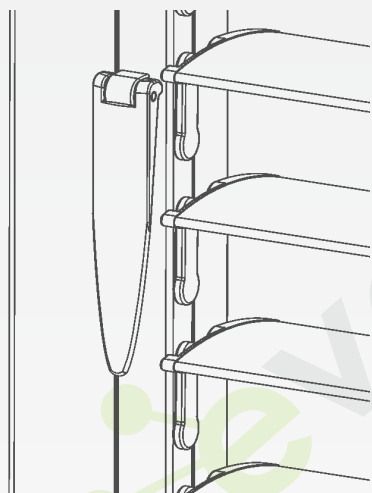
Pictured is a LouvreMASTER™ Shutter fitted into a Series 52 commercial door panel. These can be fitted into Bifold, Sliding and Hinged frames, or on Centor™ top hung tracks.

LouvreMASTER™ Shutters can also be fitted into Awning or Casement windows, as well standard 102mm commercial framing.

The slide lever is used to operate the blades.

The lever can hold the blades in a relatively fixed position when it's pushed back down flat against the door stile.

Note: The lever handle has a raised cam that jamps against the door stile when the lever is pushed flat.



Centor™ E2 hardware to sliding panels

