



AWNING WINDOW Commercial Series EV456

Key Features

Choice of two sash options: standard residential non beaded wrap around sash and optional heavy residential beaded sash.

Three lock options to choose from including: keyed chainwinder (ideal for restricted openings in multistory or use with screen), keyed cam handle in powdercoat finish and non keyed stainless steel cam handle (please note cam handle option not suited for screening). Can also be fitted with concealed electric chainwinder.

Fly screens can be clipped into frame internally without the use of unsightly rivets, turn-buttons or brackets.

104x44mm nailing fin frame is standard, protecting internal linings from water intrusion. Nailing fin also gives fixing point for reveal if needed, as well as accepting lugs in double brick installations.

Nailing fin sub sill comes as standard, unless alternative is requested.

Maximum sash height is 2100mm and maximum sash width is 1210mm dependent on wind ratings and weight of sash.

Complies with AS2047, with a high water resistance of 450Pa and has a very low air infiltration that makes it ideal for air conditioned buildings.

Sound rating figures approximately as follows:

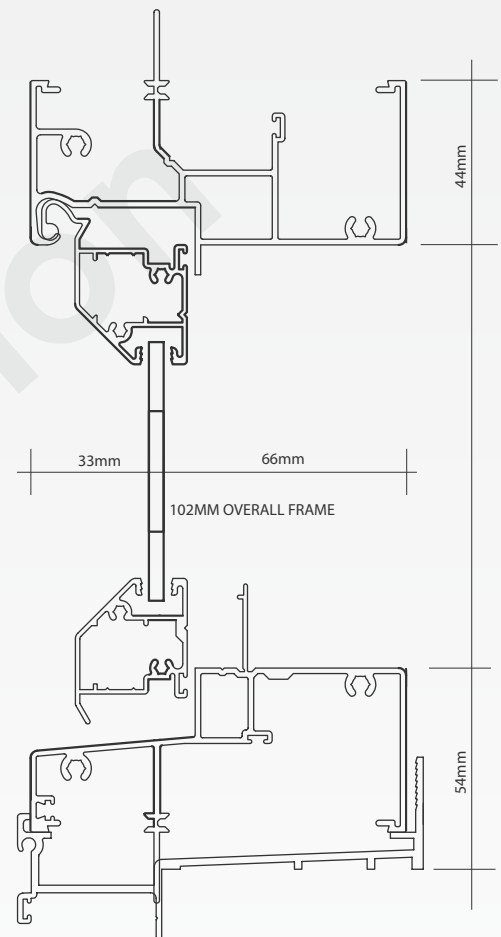
- 3mm Annealed 30dB(A) RW31 (not tested)
- 6.38mm Laminated 34dB(A) RW34 (not tested)
- 10.38mm Laminated 36dB(A) RW37 (not tested)
- 20mm IGU 30dB(A) RW30 (not tested)
- Please note using a secondary glazed window will give significantly higher numbers than quoted above.

Single Glazed wrap around sash options: 4mm, 5mm, 6mm, 6.38mm and 6.76mm.

Double Glazed wrap around sash options: 10.38mm, 18mm and 20mm.

Single Glazed beaded heavy duty options: 4mm, 5mm, 6.38mm, 6.76mm, 7.52mm, 8mm, 8.38mm, 10.38mm and 11.52mm.

Double Glazed beaded heavy duty sash options: 16mm, 18mm, 19mm and 20mm.



Phone Assistance
Call 02 9833 0855

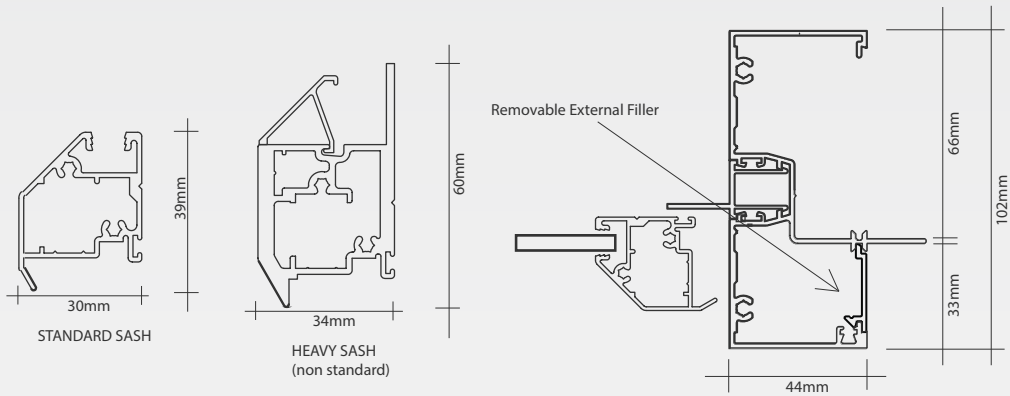


Online Technical
www.evolutionwindows.com.au

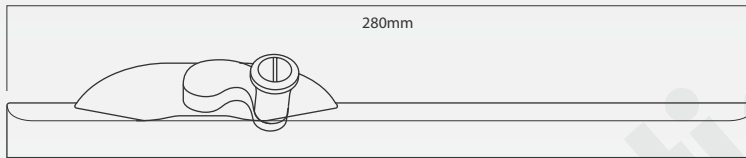
AWNING WINDOW Commercial Series EV456



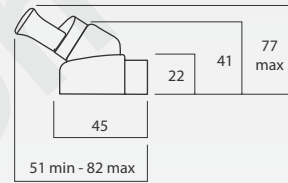
DRAWINGS



HARDWARE



456 Chainwinder
(standard option)



WERS

Single Glazed

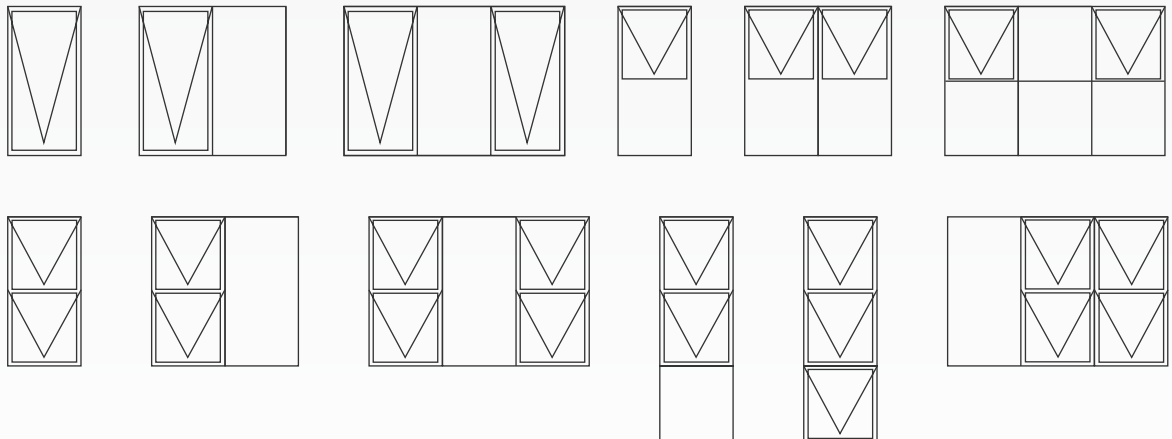
Glass Type	Uw	SHCGCw
6.38 VLam	6.7	0.58
6.38 CP	5.4	0.50
6 SNClr	5.7	0.44
6 EVanGry	5.5	0.32

Double Glazed

Glass Type	Uw	SHCGCw
4/10/4	4.8	0.52
4 SNClr/10/4	4.3	0.37
6.38 CPClr/8 AR/4	4.2	0.42
6.38 CPGry/8/4	4.4	0.31

Some of the WERS rated glass and frame combinations for this system. For a complete list of all rated glass and frame combinations refer to our WERS chart.

Configurations available are endless and depend only on size limitations and wind loadings. Below are some of our more popular ones. **Please note - All are viewed from outside of building.**



CONFIGURATIONS