



## AWNING WINDOW Commercial Series EV467

### Key Features

High performance awning which uses Truth™ hardware.

Extra strong sashes allow large sizing, especially good in areas of high wind loading also ideally suited for coastal and mountain regions

Successfully tested to 450Pa for water.

Flyscreens can be clipped into frame internally without the use of unsightly rivets, turn-buttons or brackets.

102x44mm nailing fin frame is standard, protecting internal linings from water intrusion.

Nailing fin also gives fixing point for reveal if needed, as well as accepting lugs in double brick installations.

Nailing fin sub sill comes as standard, unless alternative is requested.

Sashes are beaded internally for ease of glazing where required.

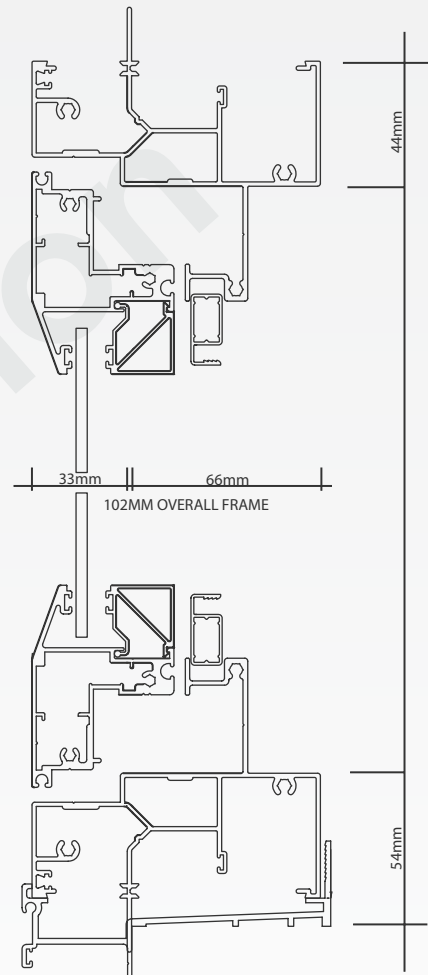
Maximum sash height is 2100mm and maximum sash width is 1200mm, dependent on wind ratings and weight of sash.

Sashes are hung on scissor type winders for ease of use. Sashes can be locked off at any opening position. This hardware can resist very high negative wind loads when locked with winder and side latch.

Single Glazed wrap around sash options: 4mm, 5mm, 6mm, 6.38mm, 6.76mm, 7.52mm, 8mm, 8.38mm, 10mm, 10.38mm, 12mm and 12.38mm.

Double Glazed beaded heavy duty sash options: 16mm, 18mm, 19mm, 20mm, 24mm and 25mm.

Also able to be glazed with a venetian blind unit.



Phone Assistance  
Call 02 9833 0855

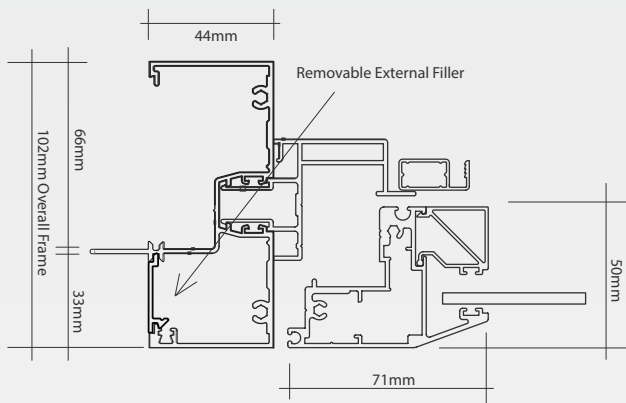


Online Technical  
[www.evolutionwindows.com.au](http://www.evolutionwindows.com.au)

# AWNING WINDOW Commercial Series EV467



DRAWINGS



HARDWARE



467 Hardware  
(standard option)



WERS

## Single Glazed

Glass Type	Uw	SHGCw
6.38 VLam	7.0	0.52
6.38 CP	5.9	0.45
6 SNClr	6.2	0.29
6 EVanGry	6.0	0.34

## Double Glazed

Glass Type	Uw	SHGCw
4/10/4	5.0	0.47
4 SNClr/10/4	4.7	0.35
6.38 CPClr/8 AR/4	4.4	0.40
6.38 CPGry/8/4	4.6	0.29

Some of the WERS rated glass and frame combinations for this system. For a complete list of all rated glass and frame combinations refer to our WERS chart.



CONFIGURATIONS

Configurations available are endless and depend only on size limitations and wind loadings. Below are some of our more popular ones. **Please note - All are viewed from outside of building.**

