



## CASEMENT WINDOW Commercial Series EV467

### Key Features

High performance casement which uses Truth™ hardware.

Extra strong sashes allow large sizing, especially good in areas of high wind loading.

Successfully tested to 450Pa for water.

Flyscreens can be clipped into frame internally without the use of unsightly rivets, turn-buttons or brackets.

102x44mm nailing fin frame is standard protecting internal linings from water intrusion. Nailing fin also gives fixing point for reveal if needed, as well as accepting lugs in double brick installations.

Nailing fin sub sill comes as standard, unless alternative is requested.

Sashes are beaded internally for ease of glazing where required.

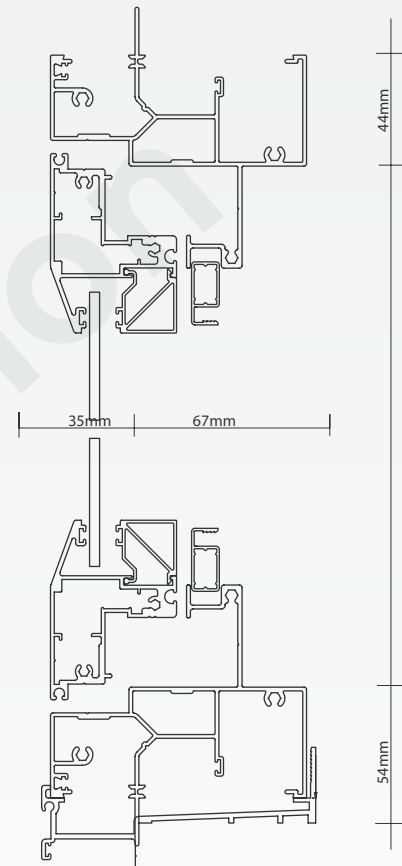
Maximum sash height is 2100mm and maximum sash width is 1200mm dependant on wind ratings and weight of sash.

Sashes open fully to 90°.

Sashes are hung on scissor type winders for ease of use. Sash can be lock off at any opening position. This hardware can resist very high negative wind loads when locked with winder and side latch.

Single Glazed wrap around sash options: 4mm, 5mm, 6mm, 6.38mm, 6.76mm, 7.52mm, 8mm, 8.38mm, 10mm, 10.38mm, 12mm and 12.38mm.

Double Glazed beaded heavy duty sash options: 16mm, 18mm, 19mm, 20mm, 24mm and 25mm.



Phone Assistance  
Call 02 9833 0855

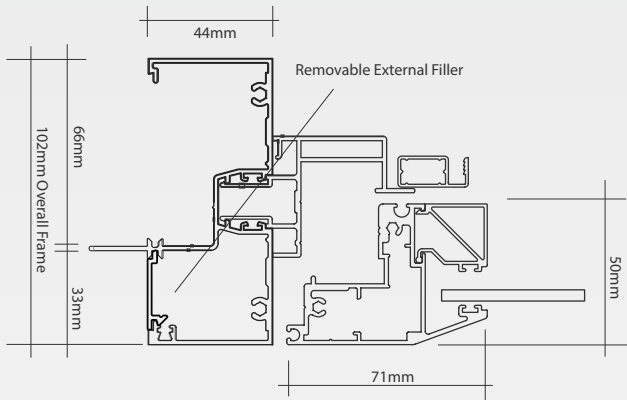


Online Technical  
[www.evolutionwindows.com.au](http://www.evolutionwindows.com.au)

# CASEMENT WINDOW Commercial Series EV467



DRAWINGS



HARDWARE



467 Hardware  
(standard option)



WERS

## Single Glazed

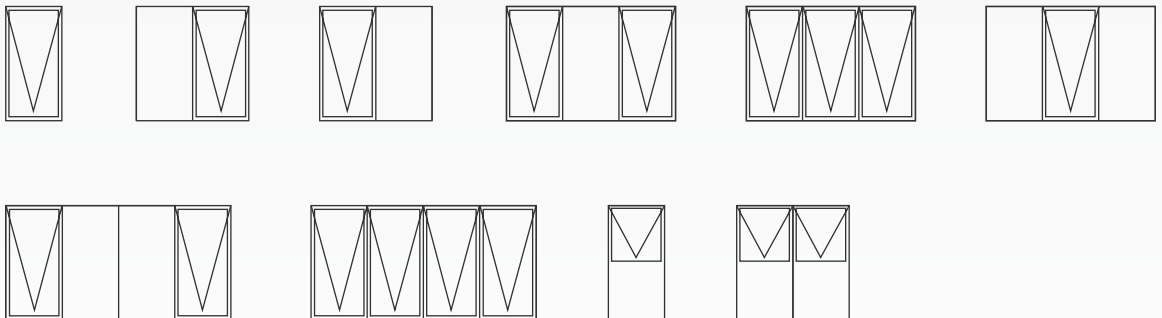
Glass Type	Uw	SHGCw
6.38 VLam	7.0	0.52
6.38 CP	5.9	0.45
6 SNClr	6.2	0.29
6 EVanGry	6.0	0.34

## Double Glazed

Glass Type	Uw	SHGCw
4/10/4	5.0	0.47
4 SNClr/10/4	4.7	0.35
6.38 CPClr/8 AR/4	4.4	0.40
6.38 CPGry/8/4	4.6	0.29

Some of the WERS rated glass and frame combinations for this system. For a complete list of all rated glass and frame combinations refer to our WERS chart.

Configurations available are endless and depend only on size limitations and wind loadings. Below are some of our more popular ones. **Please note - All are viewed from outside of building.**



CONFIGURATIONS