

SLIDING/STACKING DOOR Commercial Series EV50E3

Key Features

Premium handmade sliding door system comparative to no other product on the market.

Top rolling sliding door available in slide-fixed, as well as stacking combinations.

These are only limited by wind loadings, weight and your imagination – doors are custom made to suit most requirements.

E3 Centor™ rollers capable of carrying 250kg panels.

Standard thresholds as follows: 1 track - 66x77mm, 2 track - 66x141, 3 track - 66x205mm, 4 track - 66x269mm, 5 track - 66x333mm.

Flat recessed threshold complies with AS1428.1-2009.

50mm thick stiles on all panels ideal for doors up to 3000mm high subject to wind ratings and weight.

Able to be used as a cavity slider.

90 Degree corner sliding option is available.

Doors are also available bottom rolling where required.

50mm, 86mm, 115mm and 125mm mid rail available.

116mm bottom rail, 86mm top rail.

ICON™ stainless steel morticed lock as standard. Other options available including concealed key flush bolts.

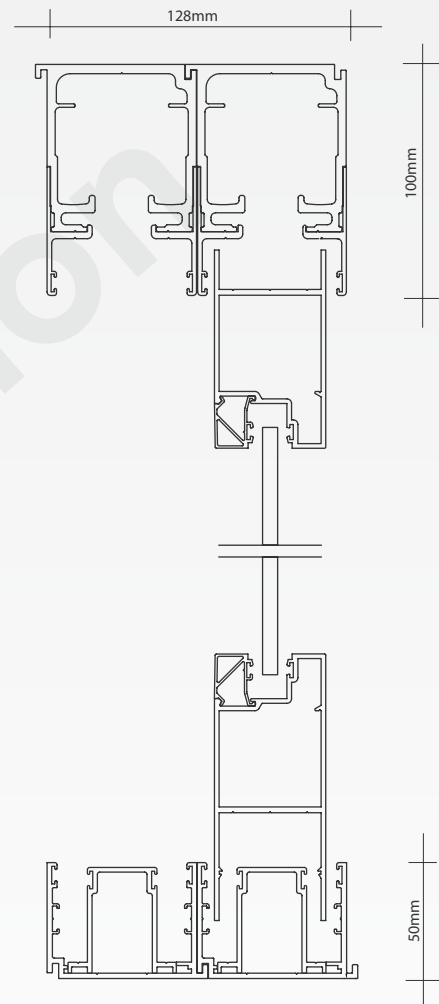
Option for Centor™ retractable screening.

Some fixed panels are capable of taking a sashless window, eliminating the need to open door panels for ventilation.

Various bead options including square, square-splayed, splayed-splayed.

Single Glazed options: 6mm, 6.38mm, 6.52mm, 7.52mm, 8mm, 8.38mm, 10mm, 10.38mm, 12mm and 12.38.

Double Glazed options: 16mm, 18-19mm, 20mm, 24mm, 28mm and 34mm.



Phone Assistance
Call 02 9833 0855

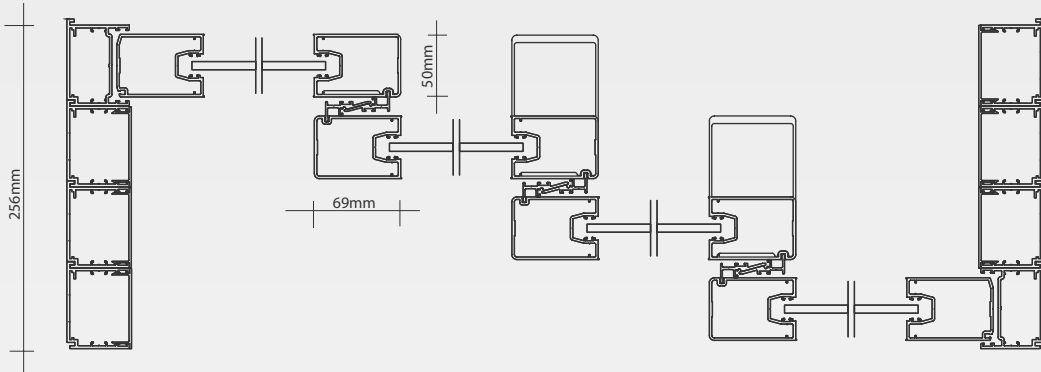


Online Technical
www.evolutionwindows.com.au

SLIDING/STACKING DOOR Commercial Series EV50E3

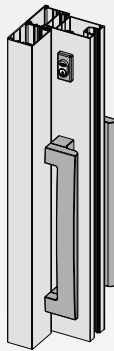


DRAWINGS



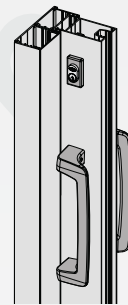
HARDWARE

ICON™ Pull handles - 316 stainless steel finish.



ANDO™ Pull handles - 316 stainless steel finish.

This handle is also available in powdercoat finish over 316 stainless steel.



WERS

Single Glazed

Glass Type	Uw	SHGCw
6.38 VLam	5.9	0.59
6.38 CP	4.4	0.44
6 SNClr	4.7	0.43
6 EVanGry	4.5	0.30

Double Glazed

Glass Type	Uw	SHGCw
4/10/4	4.0	0.54
4 SNClr/10/4	3.6	0.39
6.38 CPClr/8 AR/4	3.3	0.44
6.38 CPGry/8/4	3.6	0.32

Some of the WERS rated glass and frame combinations for this system. For a complete list of all rated glass and frame combinations refer to our WERS chart.



CONFIGURATIONS

Configurations available are endless and depend only on size limitations and wind loadings. Below are some of our more popular ones. **Please note - All are viewed from outside of building.**

