



## HINGED DOOR Commercial Series EV50/52

### Key Features

50 and 52 series door panels. Splayed or square bead are available.

50mm thick door panels are able to be made up to a height of 3000mm and a width of 1000mm.

Panels are glazed using custom adjustable setting blocks eliminating sagging of door panels.

Stiles wrap around rails to give panel a visually more appealing look as well as eliminating water leakage and air infiltration.

Rebated door stiles are used to give a flush appearance when two doors meet and provide superior weather protection, eliminating unsightly applied stops.

Specially designed lock keepers eliminate the need for holes to be milled, giving more adjustability if needed and adding security over conventional keepers.

A variety of lock options are available in stainless steel or powdercoat, as well as the use of compression lever bolts for higher security. Key locking is standard on this range.

102x44mm nailing fin frame is standard, protecting internal linings from water intrusion.

Nailing fin also gives fixing point for reveal if needed, as well as accepting lugs in double brick installations.

Numerous threshold options are available for opening out & opening in doors.

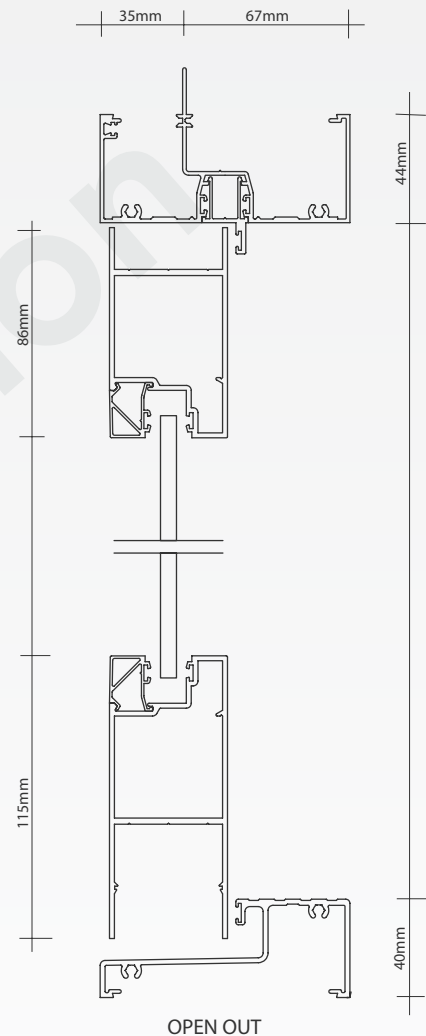
Three midrail rail options including 50mm, 115mm and 125mm.

Option for screen adapter to take security or fly door.

Panels are capable of taking a sashless window, eliminating the need for additional opening windows in room.

Single Glazed 50/52 Series Panel options: 6mm, 6.38mm, 6.76mm, 7.52mm, 8mm, 8.38mm, 10mm and 10.38mm.

Double Glazed 52 Series Panel options: 16mm, 18/19mm, 20mm, 24mm, 28mm, 32mm and 34mm.



Phone Assistance  
Call 02 9833 0855

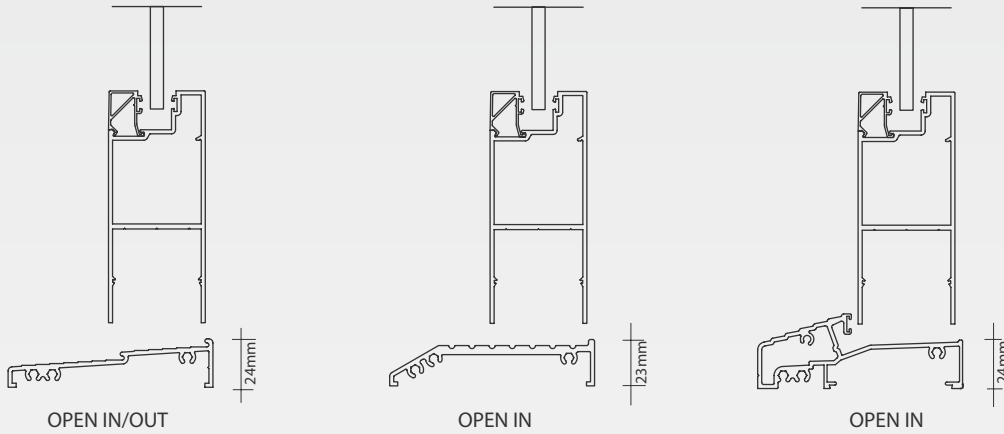


Online Technical  
[www.evolutionwindows.com.au](http://www.evolutionwindows.com.au)

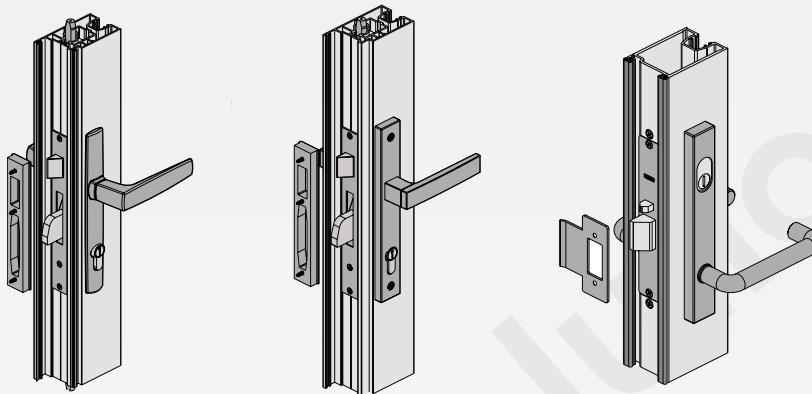
# HINGED DOOR Commercial Series EV50/52



DRAWINGS



HARDWARE



WERS

## Single Glazed

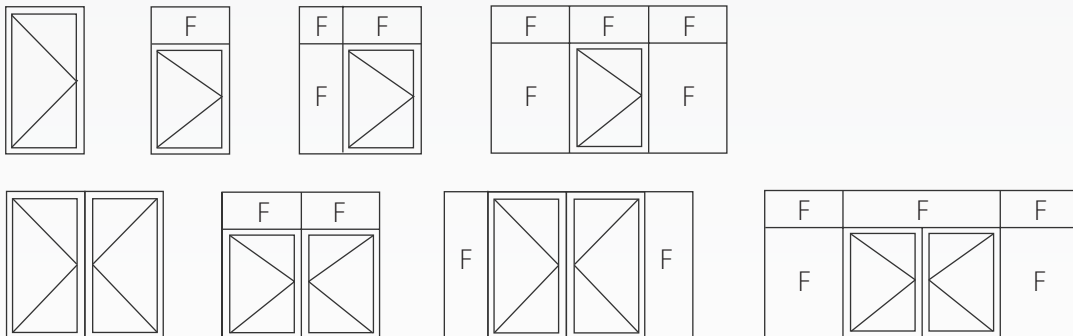
| Glass Type | Uw  | SHGCw |
|------------|-----|-------|
| 6.38 VLam  | 5.9 | 0.59  |
| 6.38 CP    | 4.4 | 0.44  |
| 6 SNClr    | 4.7 | 0.43  |
| 6 EVanGry  | 4.5 | 0.30  |

## Double Glazed

| Glass Type        | Uw  | SHGCw |
|-------------------|-----|-------|
| 4/10/4            | 4.0 | 0.54  |
| 4 SNClr/10/4      | 3.6 | 0.39  |
| 6.38 CPClr/8 AR/4 | 3.3 | 0.44  |
| 6.38 CPGry/8/4    | 3.6 | 0.32  |

Some of the WERS rated glass and frame combinations for this system. For a complete list of all rated glass and frame combinations refer to our WERS chart.

Configurations available are endless and depend only on size limitations and wind loadings. Below are some of our more popular ones. **Please note - All are viewed from outside of building.**



CONFIGURATIONS