



## PIVOT DOOR Commercial Series EV50/52

### Key Features

50 and 52 series door panels. Splayed or square bead are available.

50mm thick door panels able to be made up to a height of 3000mm and a width of 1800mm.

Panels are glazed using custom adjustable setting blocks eliminating sagging of door panels.

Stiles wrap around rails to give panel a visually more appealing look as well as eliminating water leakage and air infiltration.

Unlike most pivots on the market our doors are supplied with applied door stops to jambs and weatherstrip option to rails.

112mm wide door stiles are used in place of standard 69mm stiles enabling the fitting of larger pull handles if required.

102x44mm nailing fin frame is standard protecting internal linings from water intrusion.

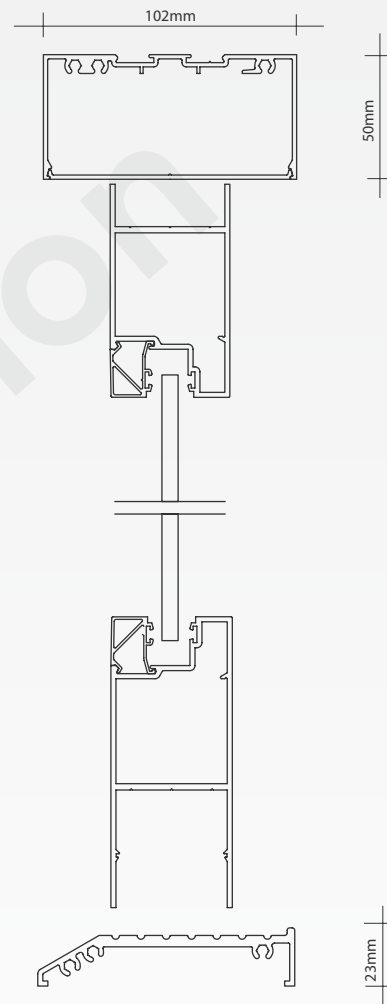
Nailing fin also gives fixing point for reveal if needed, as well as accepting lugs in double brick installations.

Numerous threshold options are available for opening out and opening in doors.

3 mid rail options including 50mm, 115mm and 125mm.

Single Glazed 50/52 Series Panel options: 6mm, 6.38mm, 6.76mm, 7.52mm, 8mm, 8.38mm, 10mm and 10.38mm.

Double Glazed 52 Series Panel options: 16mm, 18/19mm, 20mm, 24mm, 28mm, 32mm and 34mm.



Phone Assistance  
Call 02 9833 0855

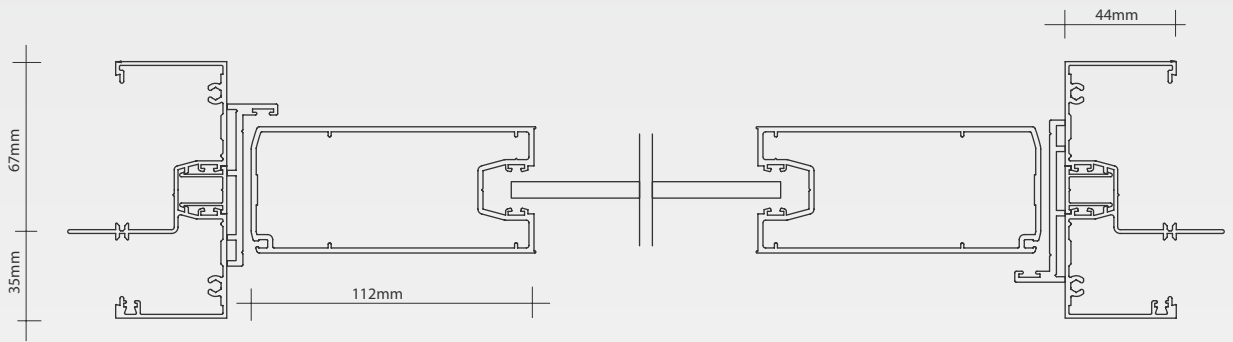


Online Technical  
[www.evolutionwindows.com.au](http://www.evolutionwindows.com.au)

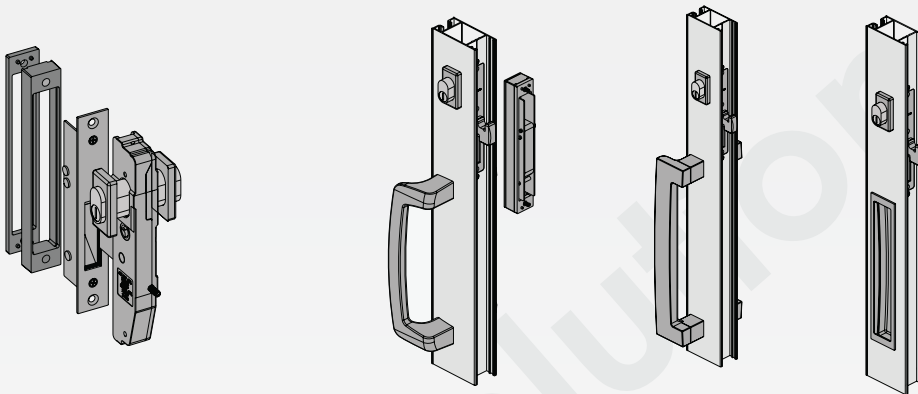
# PIVOT DOOR Commercial Series EV50/52



DRAWINGS



HARDWARE



WERS

## Single Glazed

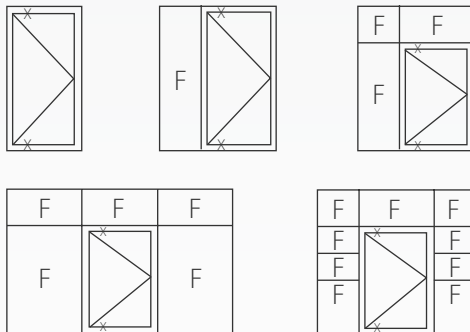
Glass Type	Uw	SHGCw
6.38 VLam	5.9	0.59
6.38 CP	4.4	0.44
6 SNClr	4.7	0.43
6 EVanGry	4.5	0.30

## Double Glazed

Glass Type	Uw	SHGCw
4/10/4	4.0	0.54
4 SNClr/10/4	3.6	0.39
6.38 CPClr/8 AR/4	3.3	0.44
6.38 CPGry/8/4	3.6	0.32

Some of the WERS rated glass and frame combinations for this system. For a complete list of all rated glass and frame combinations refer to our WERS chart.

Configurations available are endless and depend only on size limitations and wind loadings. Below are some of our more popular ones. **Please note - All are viewed from outside of building.**



CONFIGURATIONS