

LOUVRE WINDOW Residential Series EV525

Key Features

133x30mm slimline outer surround frame.

Louvres will clip to all AWS residential 102mm products.

Choice of optional jambs with security bars fitted.

Choice of 102mm and 152mm blades.

Water rating 300Pa dependent on sizing.

Low profile handle as standard.

Standard handle quantity and position vary dependent on height of louvre.

Black clips and handle as standard. Others non-standard options Altair and A13.

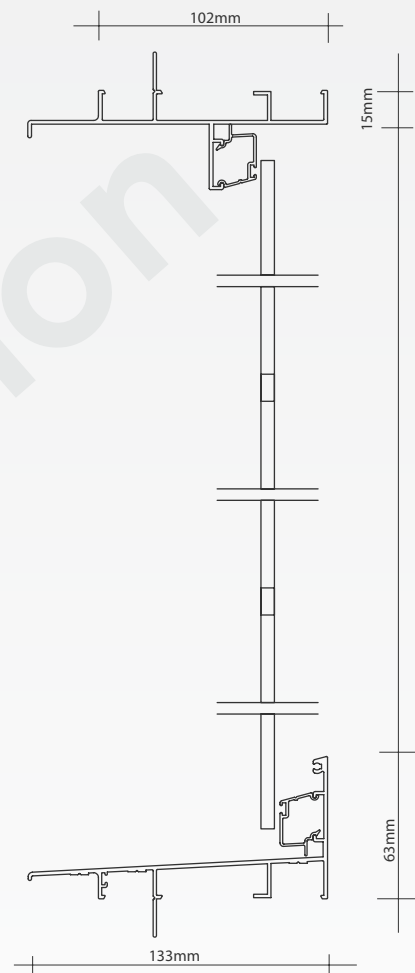
Galleries come in a huge range of colour options. Delivery lead times are affected by this choice.

Optional key lock available. Note: This lock cannot be retrofitted, so please specify if required. Lock colours available are black, silver and white. Lock is fitted to the opposite jamb then the handle.

Flyscreen channel is integrated into jambs meaning no unsightly clips or rattling screens.

Inlay adapter also available that allows this systems to be glazed as a fixed lite.

Fixed glass options: 4mm, 5mm, 6mm, 6.38mm, 6.76mm, 7.52mm and 8.38mm.



Phone Assistance
Call 02 9833 0855

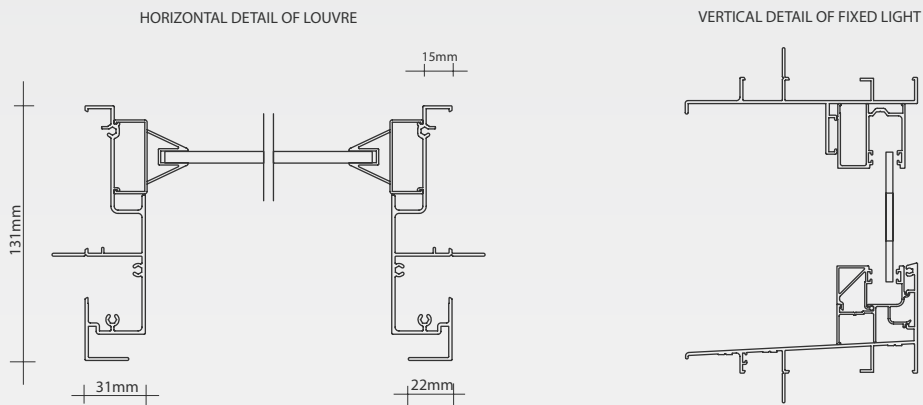


Online Technical
www.evolutionwindows.com.au

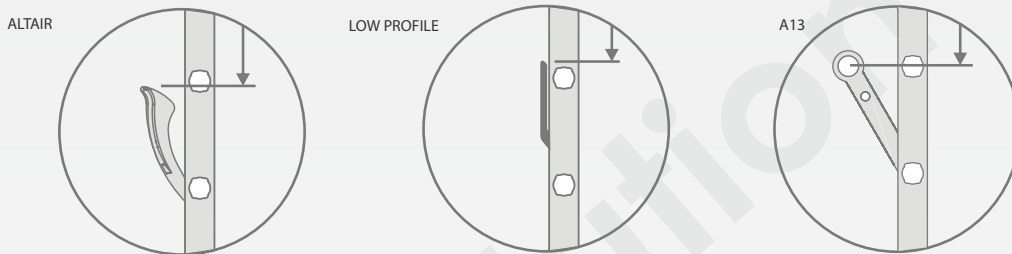
LOUVRE WINDOW Residential Series EV525



DRAWINGS



HARDWARE



WERS

Single Glazed

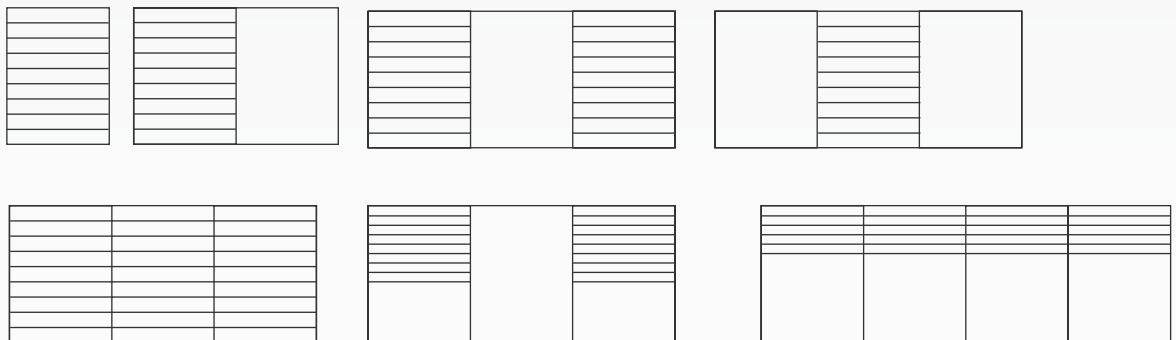
Glass Type	Uw	SHGCw
6.38 VLam	6.2	0.57
6.38 CP	6.2	0.48
6 SNClr	4.8	0.42
6 EVanGry	6.2	0.29

Double Glazed

Glass Type	Uw	SHGCw
4/10/4	N/A	N/A
4 SNClr/10/4	N/A	N/A
6.38 CPClr/8 AR/4	N/A	N/A
6.38 CPGry/8/4	N/A	N/A

Some of the WERS rated glass and frame combinations for this system. For a complete list of all rated glass and frame combinations refer to our WERS chart.

Configurations available are endless and depend only on size limitations and wind loadings. Below are some of our more popular ones. **Please note - All are viewed from outside of building.**



CONFIGURATIONS