



SLIDING/STACKING DOOR Residential Series EV542

Key Features

Economy bottom rolling sliding door available in slide/fixed as well as stacking combinations.

Slimline outer frame.

Standard thresholds as follows 108x38mm, optional 108x50mm high performance sill available.

26mm thick stiles on all panels ideal for doors up to 2700mm high subject to wind ratings and weight.

Able to be used as a cavity slider up to 2 panels one way.

Three lock options available.

Optional 50mm high threshold will rate to 300Pa for water.

100mm mid rail available.

Height adjustable heavy duty rollers.

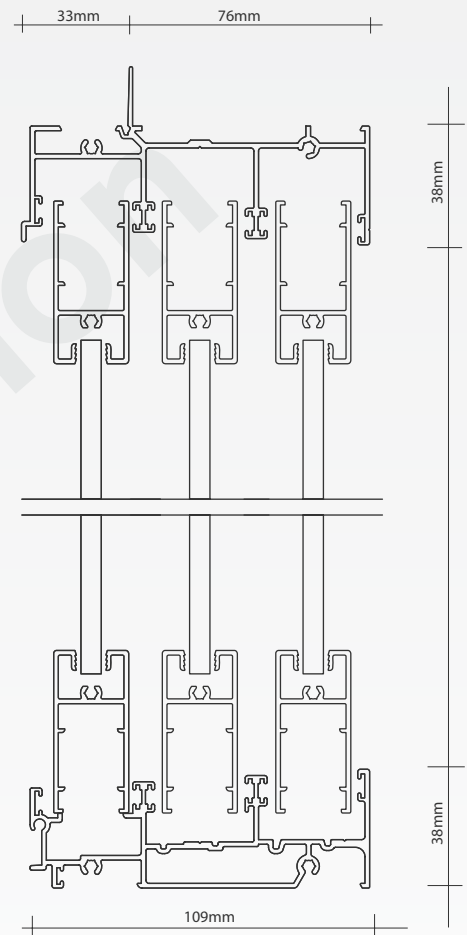
52mm bottom rail, 52mm top rail.

Sound rating figures as follows:

- 4mm Toughened 27dB(A) RW28
- 6.38mm Laminated 32dB(A) RW32
- 10.38mm Laminated 34dB(A) RW35
- 20mm IGU 33dB(A) RW33
- Secondary glazed sliding window will give significantly higher numbers.

Single Glazed options: 4mm, 5mm, 6mm, 6.38mm, 7.52mm, 8mm, 8.38mm, 10mm and 10.38mm.

Double Glazed options: 16mm, 18mm, 19mm and 20mm.



Phone Assistance
Call 02 9833 0855

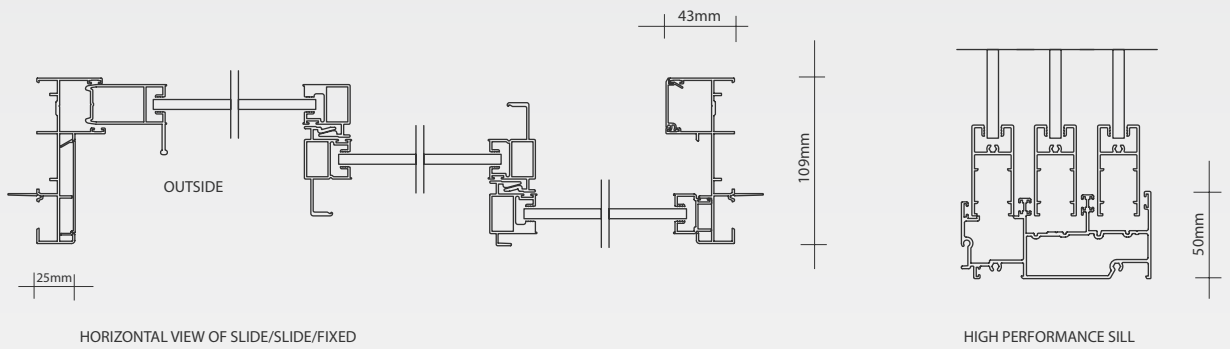


Online Technical
www.evolutionwindows.com.au

SLIDING/STACKING DOOR Residential Series EV542



DRAWINGS



HARDWARE



WERS

Single Glazed

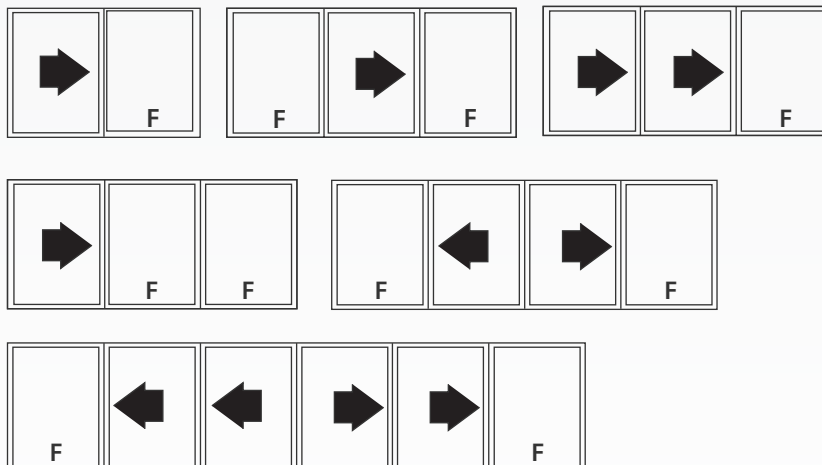
Glass Type	Uw	SHCGCw
6.38 VLam	6.1	0.63
6.38 CP	4.4	0.54
6 SNClr	4.8	0.47
6 EVanGry	4.4	0.32

Double Glazed

Glass Type	Uw	SHCGCw
4/10/4	4.1	0.59
4 SNClr/10/4	3.7	0.43
6.38 CPClr/8 AR/4	3.4	0.49
6.38 CPGry/8/4	3.7	0.35

Some of the WERS rated glass and frame combinations for this system. For a complete list of all rated glass and frame combinations refer to our WERS chart.

Configurations available are endless and depend only on size limitations and wind loadings. Below are some of our more popular ones. **Please note - All are viewed from outside of building.**



CONFIGURATIONS