



## LOUVRE WINDOW Commercial Series EV600

### Key Features

Extra strong 150x50mm outer surround frame meaning louvres can be integrated with most of the standard commercial Series 600 range including sliding and hinged doors.

Choice of 102mm and 152mm blades.

Water rating 300Pa dependent on sizing.

Low profile handle as standard.

Black clips and handle as standard. Others non-standard options Altair and A13.

Galleries come in a huge range of colour options. Delivery lead times are affected by this choice.

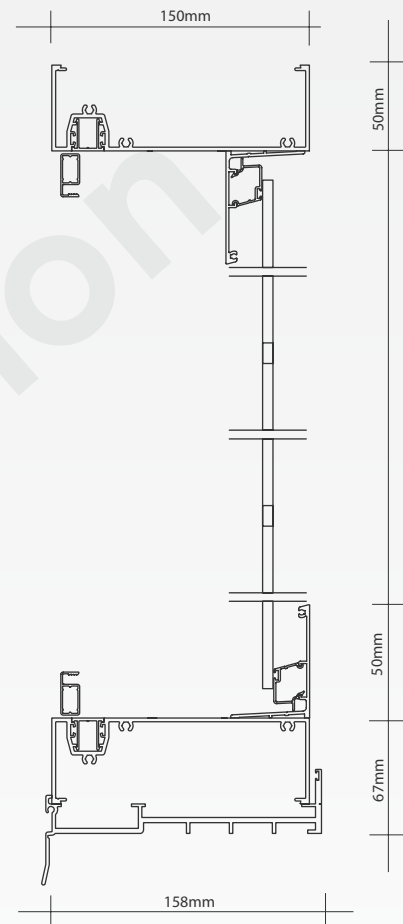
Optional key lock available. Note: This lock cannot be retro fitted, so please specify if required. Lock colours available are black, silver and white. Lock is fitted to opposite jamb to handle.

Electric powered louvre available eliminating handle, ideal for high light options. Standard option is a wall switch (not supplied by Evolution) or by optional remote control unit. Note : wiring connection is by your own electrician.

Flyscreen option available for both 102mm and 152mm blades, so screen can be fitted within the 152mm frame via specifically designed screen channel.

These louvres come in a range of standard heights with all blades operable, full blade not only looks better but also save you money.

Sub sill comes as standard, unless alternative is requested.



Phone Assistance  
Call 02 9833 0855

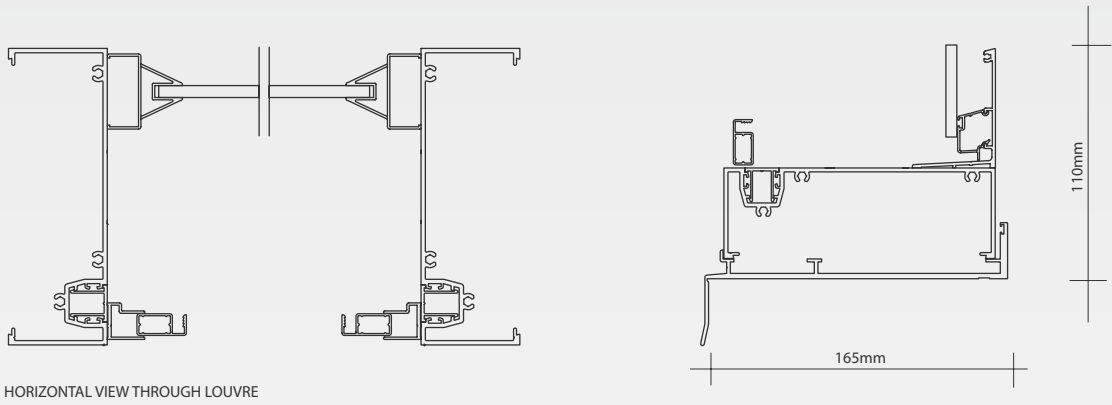


Online Technical  
[www.evolutionwindows.com.au](http://www.evolutionwindows.com.au)

# LOUVRE WINDOW Commercial Series EV600



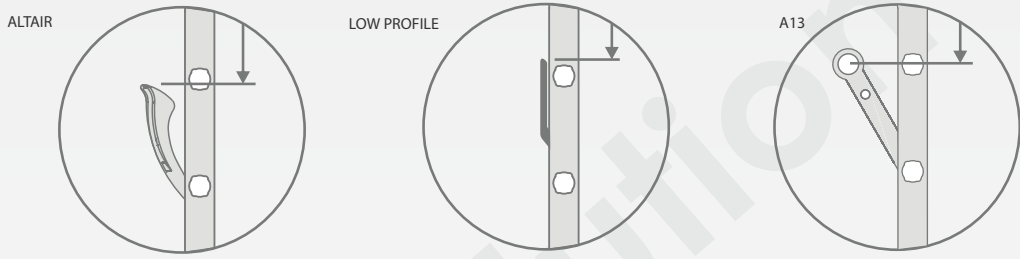
DRAWINGS



HORIZONTAL VIEW THROUGH LOUVRE



HARDWARE



WERS

## Single Glazed

Glass Type	Uw	SHCGCw
6.38 VLam	6.4	0.73
6.38 CP	4.6	0.61
6 SNClr	4.9	0.52
6 EVanGry	4.8	0.37

## Double Glazed

Glass Type	Uw	SHCGCw
4/10/4	N/A	N/A
4 SNClr/10/4	N/A	N/A
6.38 CPClr/8 AR/4	N/A	N/A
6.38 CPGry/8/4	N/A	N/A

Some of the WERS rated glass and frame combinations for this system. For a complete list of all rated glass and frame combinations refer to our WERS chart.



CONFIGURATIONS

Configurations available are endless and depend only on size limitations and wind loadings. Below are some of our more popular ones. **Please note - All are viewed from outside of building.**

