



## FRONT GLAZE Commercial Series EV600

### Key Features

Overall dimensions on this frame is 150x44mm.

16mm glazing pocket is located in the same location from the outside of the building as the Series 400 to perfectly compliment it in looks but with additional strength.

Sill bead is always splayed on this product unless otherwise nominated.

Improved captive wedge glazing system.

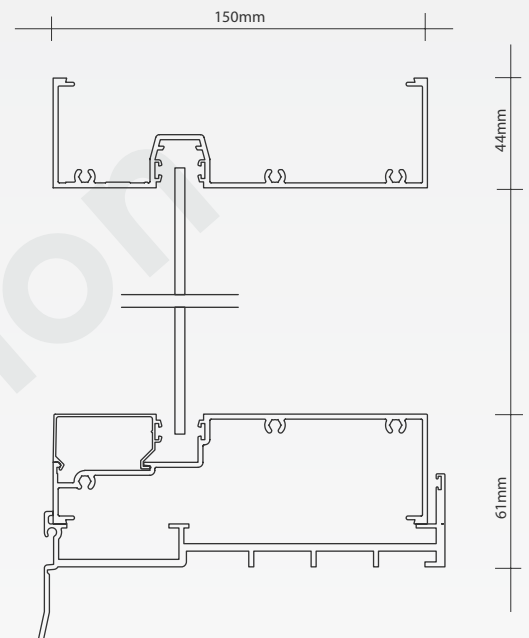
As well as standard 44mm transom, option available to add 50mm or 125mm chair rail.

Sub sill comes as standard, unless alternative is requested.

Water rating up to 300Pa.

Frame can be glazed with following glass thickness.

Single Glazed: 6mm, 6.38mm, 6.76mm, 7.52mm, 8mm, 8.38mm, 10.38mm and 12mm.



Phone Assistance  
Call 02 9833 0855

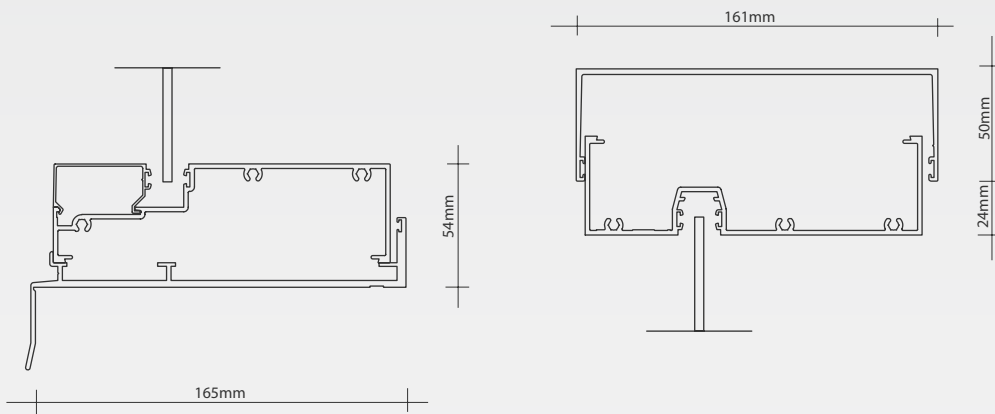


Online Technical  
[www.evolutionwindows.com.au](http://www.evolutionwindows.com.au)

# FRONT GLAZE Commercial Series EV600



DRAWINGS



HARDWARE



WERS

## Single Glazed

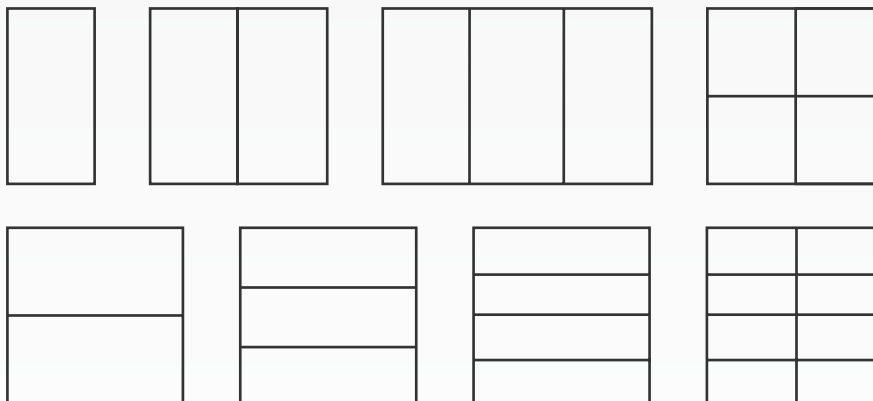
Glass Type	Uw	SHGCw
6.38 VLam	6.4	0.73
6.38 CP	4.6	0.61
6 SNClr	4.9	0.52
6 EVanGry	4.8	0.37

## Double Glazed

Glass Type	Uw	SHGCw
4/10/4	N/A	N/A
4 SNClr/10/4	N/A	N/A
6.38 CPClr/8 AR/4	N/A	N/A
6.38 CPGry/8/4	N/A	N/A

Some of the WERS rated glass and frame combinations for this system. For a complete list of all rated glass and frame combinations refer to our WERS chart.

Configurations available are endless and depend only on size limitations and wind loadings. Below are some of our more popular ones. **Please note - All are viewed from outside of building.**



CONFIGURATIONS