



FRONT GLAZE Commercial Series EV606

Key Features

Superior front glaze system with an overall dimensions on this frame is 150x50mm.

16mm glazing pocket is located front of frame.

This frame is capable of being integrated with other products in the range.

Sill bead is always splayed, unless otherwise nominated.

Improved captive wedge glazing system.

Outer frame is capable of taking nailing fin adapter for the purposes of taking a reveal.

Sub sill comes as standard, unless alternative is requested.

Successfully tested up to 600Pa Water rating, dependant on which of the five different transom options is selected.

Drainage is not punched through the face giving a cleaner finish.

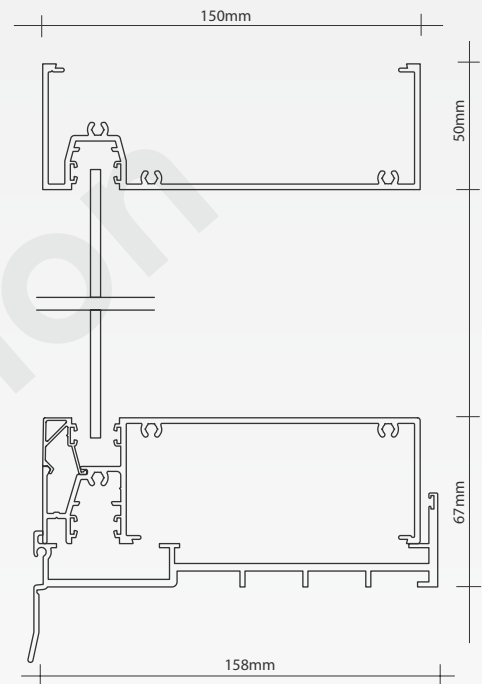
As well as standard 50mm transom, option available to add 50mm or 125mm chair rail.

Option to use dummy mullions with stiffeners. Ideal for a cleaner external silicone joint detail.

Concealed fixings and high water rating make this perfect for corner units with multiple transoms.

Option for this product to be internally glazed in high rise applications.

Single Glazed: 6mm, 6.38mm, 6.76mm, 7.52mm, 8mm, 8.38mm, 10.38mm and 12mm.



Phone Assistance
Call 02 9833 0855

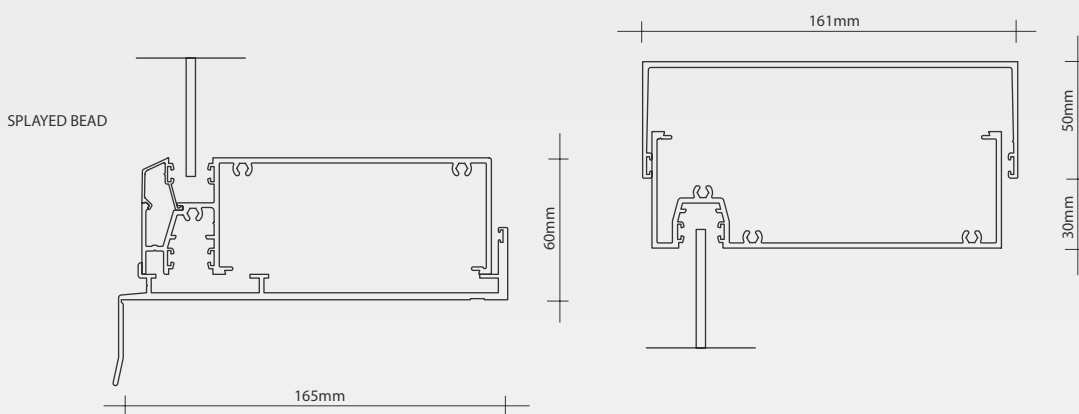


Online Technical
www.evolutionwindows.com.au

FRONT GLAZE Commercial Series EV606



DRAWINGS



HARDWARE



WERS

Single Glazed

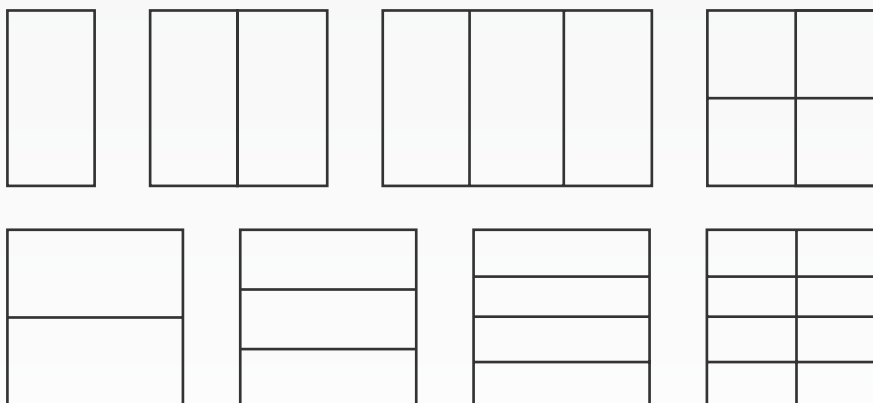
Glass Type	Uw	SHGCw
6.38 VLam	6.3	0.70
6.38 CP	4.6	0.47
6 SNClr	4.9	0.52
6 EVanGry	4.8	0.37

Double Glazed

Glass Type	Uw	SHGCw
4/10/4	3.7	0.65
4 SNClr/10/4	3.2	0.47
6.38 CPClr/8 AR/4	2.9	0.54
6.38 CPGry/8/4	3.2	0.39

Some of the WERS rated glass and frame combinations for this system. For a complete list of all rated glass and frame combinations refer to our WERS chart.

Configurations available are endless and depend only on size limitations and wind loadings. Below are some of our more popular ones. **Please note - All are viewed from outside of building.**



CONFIGURATIONS