



SLIDING/STACKING DOOR Residential Series EV618

Key Features

Bottom rolling sliding door available in slide/fixed as well as stacking combinations.

Uniform 44mm outer frame.

Standard thresholds are: three track 44x133mm, four track 50x177mm.

33mm thick stiles on all panels are ideal for doors up to 2700mm and 1500mm wide, subject to wind ratings and weight.

Able to be used as a cavity slider up to four panels one way.

ICON™ stainless steel handles are supplied as standard.

90° degree corner sliding option is available.

Upmarket screen door option available to compliment sliding door.

Optional 50mm high threshold will rate to 450Pa for water.

57mm or 90mm mid rail available.

Height adjustable heavy duty rollers.

90mm bottom rail and 57mm top rail.

Stainless steel morticed lock as standard. Six other hardware options available.

Option for Centor™ retractable screening.

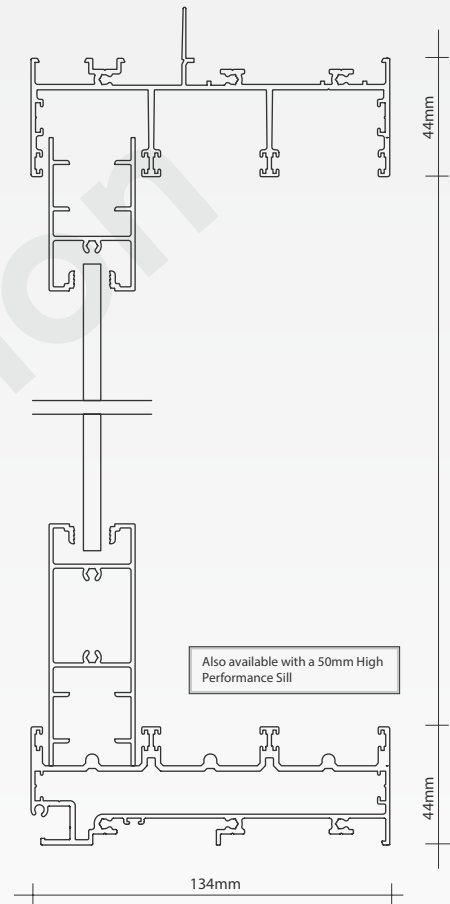
Some fixed panels are capable of taking a sashless window eliminating the need to open door panels for ventilation.

Sound rating figures approximately as follows:

- 4mm Annealed 27dB(A) RW28 (not tested)
- 6.38mm Laminated 32dB(A) RW32 (not tested)
- 10.38mm Laminated 34dB(A) RW35 (not tested)
- 20mm IGU 33dB(A) RW33 (not tested)
- Secondary glazed sliding window will give significantly higher numbers

Single Glazed options: 4mm, 5mm, 6mm, 6.38mm, 7.52mm, 8mm, 8.38mm, 10mm and 10.38mm.

Double Glazed options: 20mm.



Phone Assistance
Call 02 9833 0855

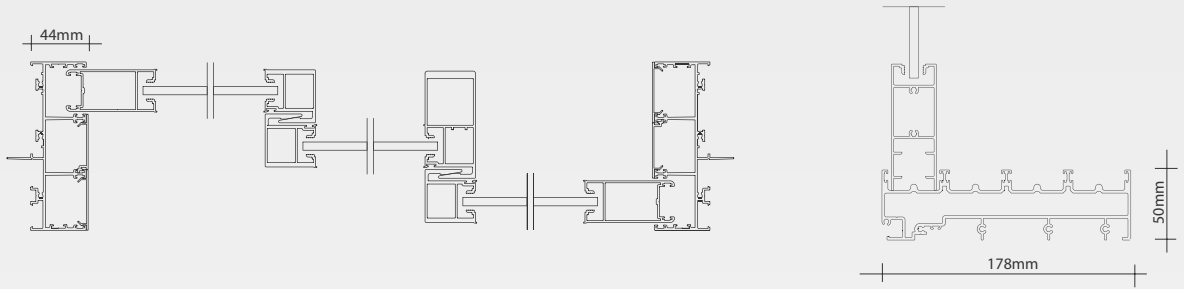


Online Technical
www.evolutionwindows.com.au

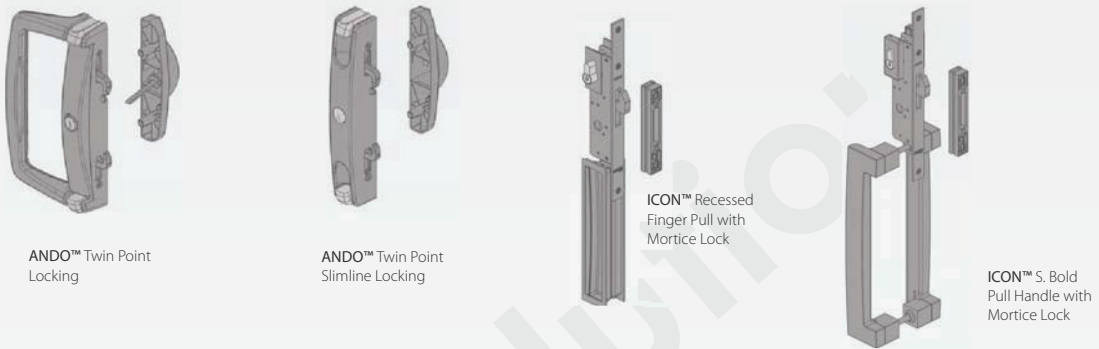
SLIDING/STACKING DOOR Residential Series EV618



DRAWINGS



HARDWARE



WERS

Single Glazed

Glass Type	Uw	SHCGCw
6.38 VLam	6.2	0.65
6.38 CP	4.4	0.55
6 SNClr	4.8	0.48
6 EVanGry	4.6	0.33

Double Glazed

Glass Type	Uw	SHCGCw
4/10/4	4.0	0.60
4 SNClr/10/4	3.6	0.43
6.38 CPClr/8 AR/4	3.6	0.49
6.38 CPGry/8/4	3.6	0.35

Some of the WERS rated glass and frame combinations for this system. For a complete list of all rated glass and frame combinations refer to our WERS chart.



CONFIGURATIONS

Configurations available are endless and depend only on size limitations and wind loadings.

Below are some of our more popular ones. **Please note - All are viewed from outside of building.**

