



## SLIDING/STACKING DOOR Commercial Series EV704

### Key Features

Bottom rolling sliding door available in slide/fixed as well as stacking combinations.

Can be inserted into commercial 100mm and 150mm frame without unsightly couplers.

Standard thresholds inclusive of sub sill are: two track 46x111mm, three track 46x161mm, four track 46x211mm.

Extra strong meeting stiles make this door the ideal selection in areas of high wind loading.

40mm thick stiles on all panels ideal for doors up to 3000mm high, subject to wind ratings and weight.

Able to be used as a cavity slider up to three panels one way.

ICON™ stainless steel handles are supplied as standard.

90° degree corner sliding option is available.

Optional 50mm high threshold will rate to 450Pa for water.

63mm or 121mm mid rail available.

Height adjustable heavy duty rollers.

121mm bottom rail and 63mm top rail.

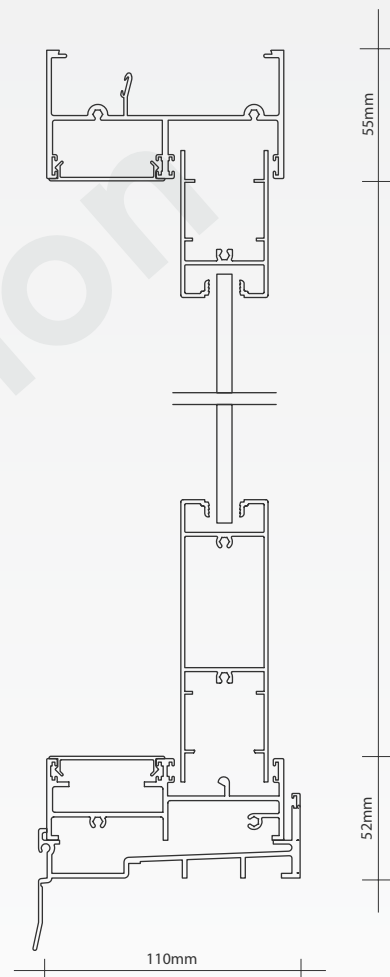
Stainless steel morticed lock as standard. Six other hardware options available.

Option for Centor™ retractable screening.

Some fixed panels are capable of taking a sashless window eliminating the need to open door panels for ventilation.

Single Glazed options: 4mm, 5mm, 6mm, 6.38mm, 7.52mm, 8mm, 8.38mm, 10mm, 10.38mm, 12.38mm and 13.52mm.

Double Glazed options: 20mm and 25mm.



Phone Assistance  
Call 02 9833 0855

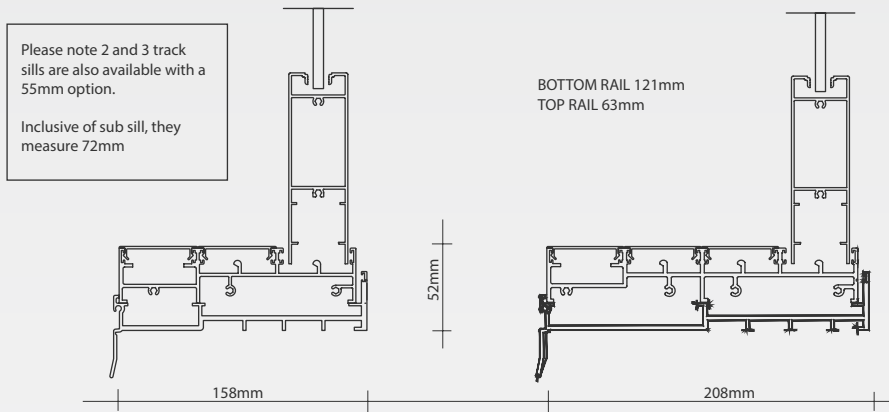


Online Technical  
[www.evolutionwindows.com.au](http://www.evolutionwindows.com.au)

# SLIDING/STACKING DOOR Commercial Series EV704



DRAWINGS



HARDWARE



WERS

## Single Glazed

Glass Type	Uw	SHGCw
6.38 VLam	6.1	0.63
6.38 CP	4.4	0.54
6 SNClr	4.8	0.47
6 EVanGry	4.4	0.32

## Double Glazed

Glass Type	Uw	SHGCw
4/10/4	4.1	0.59
4 SNClr/10/4	3.7	0.43
6.38 CPClr/8 AR/4	3.4	0.49
6.38 CPGry/8/4	3.7	0.35

Some of the WERS rated glass and frame combinations for this system. For a complete list of all rated glass and frame combinations refer to our WERS chart.



CONFIGURATIONS

Configurations available are endless and depend only on size limitations and wind loadings. Below are some of our more popular ones. **Please note - All are viewed from outside of building.**

